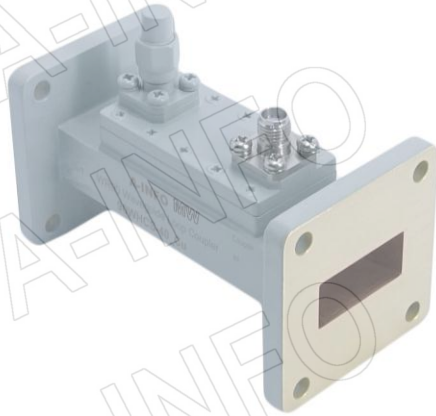


For reference only. See data sheet for the detailed specifications.

## Technical Specification

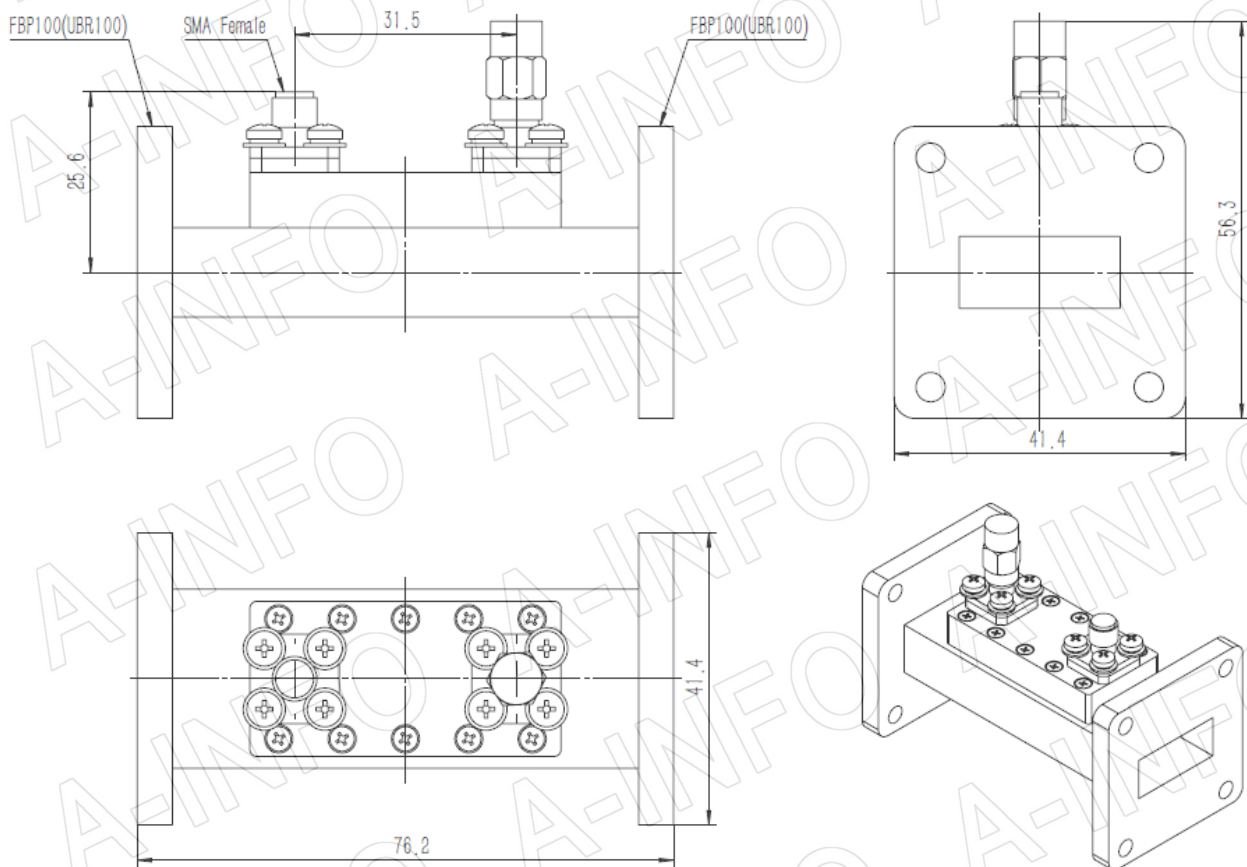


EIA WR	WR90
Frequency Range(GHz)	8.2 – 12.4
Coupling(dB)	40
Directivity(dB)	15 Typ.
Insertion Loss(dB)	0.1 Max. (Not including the theoretical loss $4.34 \times 10^{-4}$ dB)
VSWR Mainline	1.10:1 Max.
VSWR Secondline	1.35:1 Max.
Flange	FBP100(UBR100)
Coupling Port	SMA-Female/ SMA-Male
Material	Cu
Size(mm)	76.2 x 41.4 x 56.3
Net Weight(Kg)	0.25 Around

## Outline Drawing (Size: mm)

Coupling Port: SMA-Female

For SMA-Male connector Coupling Port outline drawing, please contact A-INFO.



**AINFO Inc.**

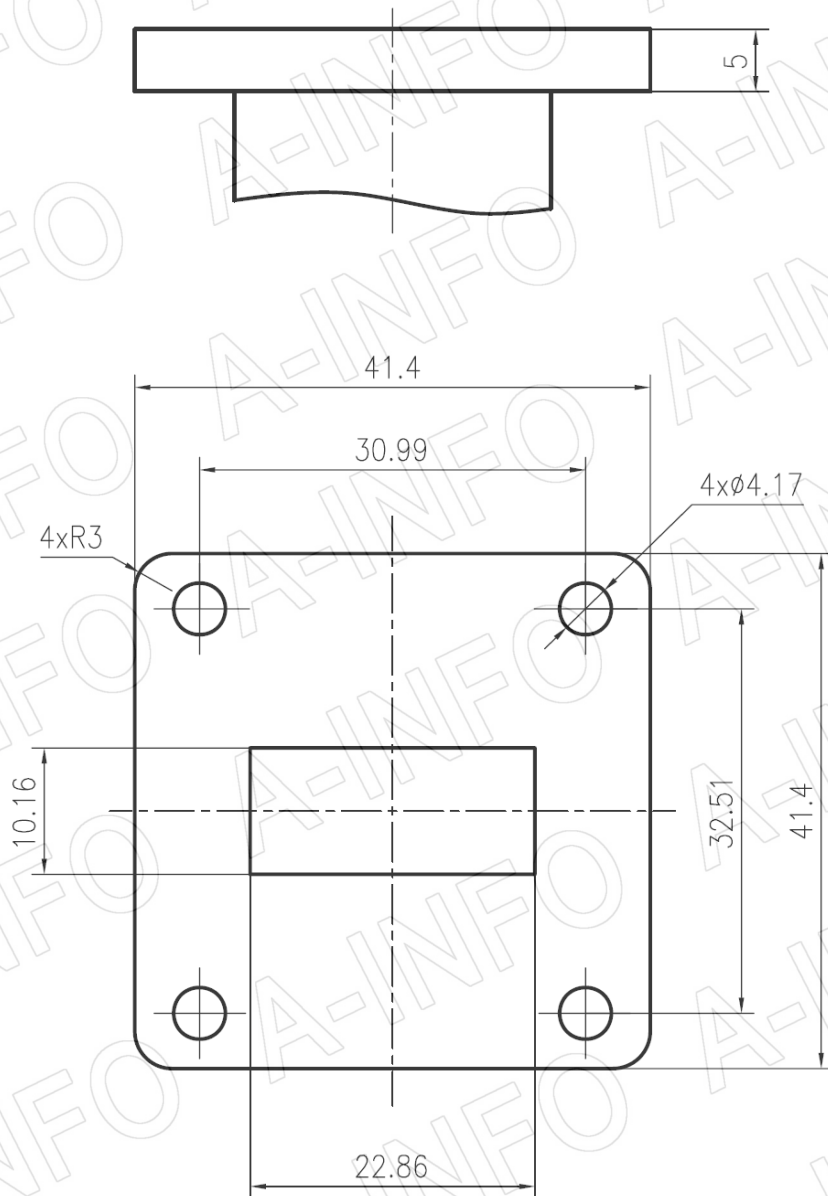
China(Beijing): Tel: (+86) 10-6266-7326,  
China(Chengdu): Tel: (+86) 28-8519-2786,  
USA : Tel: (+1) 949-639-9688,

Page 1 of 5

(+86) 10-6266-7327 Fax: (+86) 10-6266-7379  
(+86) 28-8519-3044 Fax: (+86) 28-8519-3068  
(+1) 949-639-9608 Fax: (+1) 949-639-9670

Website: [www.ainfoinc.com](http://www.ainfoinc.com)  
Email: [sales@ainfoinc.com](mailto:sales@ainfoinc.com)

## Flange Drawing (Size: mm)



**FBP100**

### AINFO Inc.

China(Beijing): Tel: (+86) 10-6266-7326,  
China(Chengdu): Tel: (+86) 28-8519-2786,  
USA : Tel: (+1) 949-639-9688,

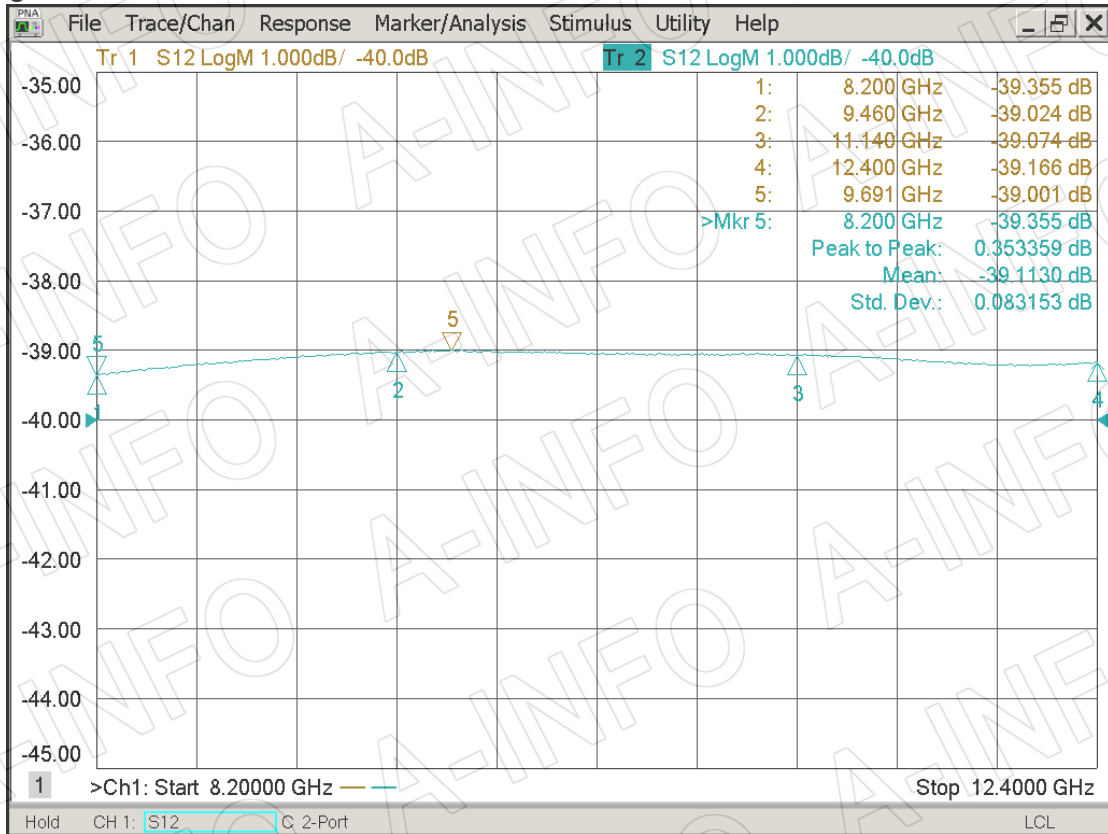
Page 2 of 5

(+86) 10-6266-7327 Fax: (+86) 10-6266-7379  
(+86) 28-8519-3044 Fax: (+86) 28-8519-3068  
(+1) 949-639-9608 Fax: (+1) 949-639-9670

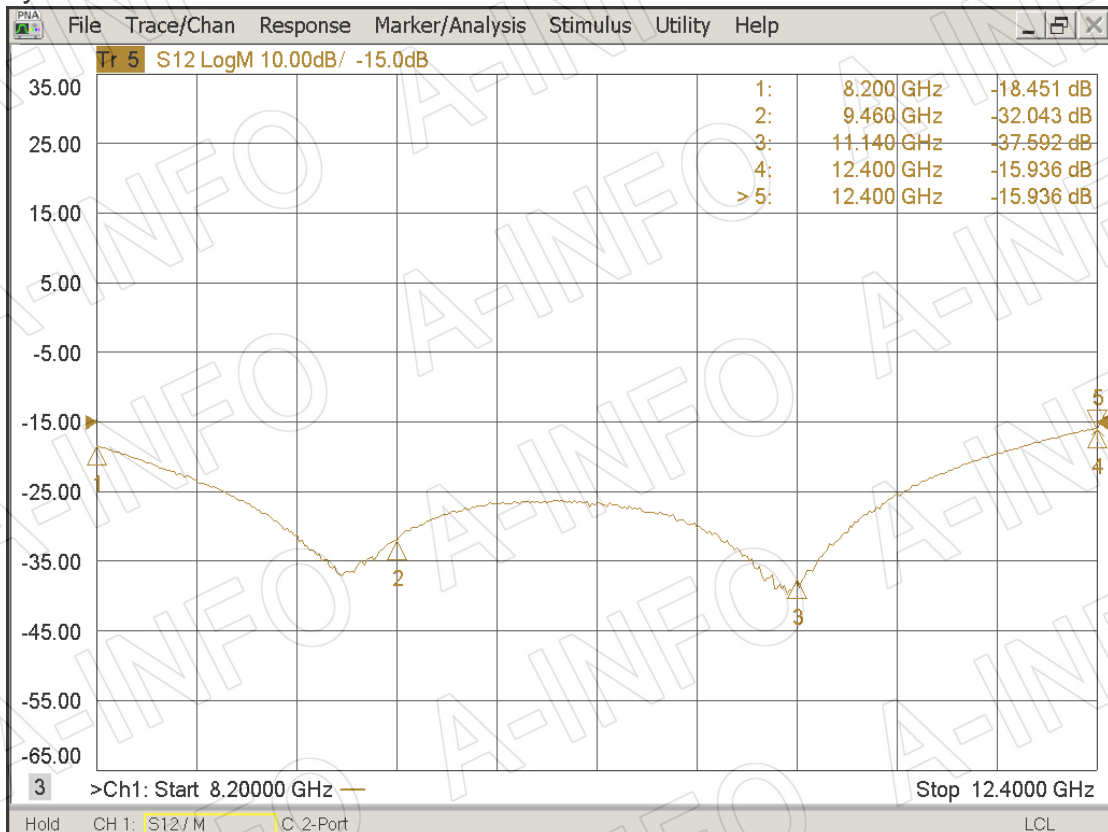
Website: [www.ainfoinc.com](http://www.ainfoinc.com)  
Email: [sales@ainfoinc.com](mailto:sales@ainfoinc.com)

## Test Results

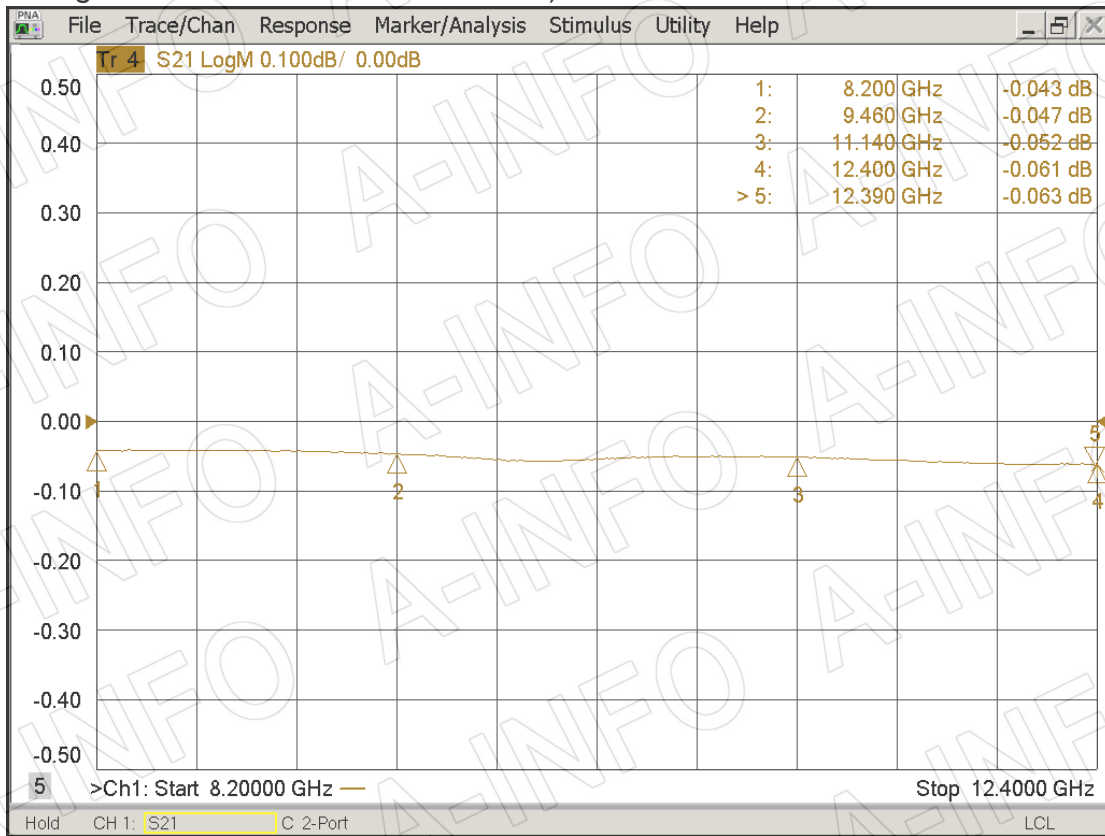
### Coupling



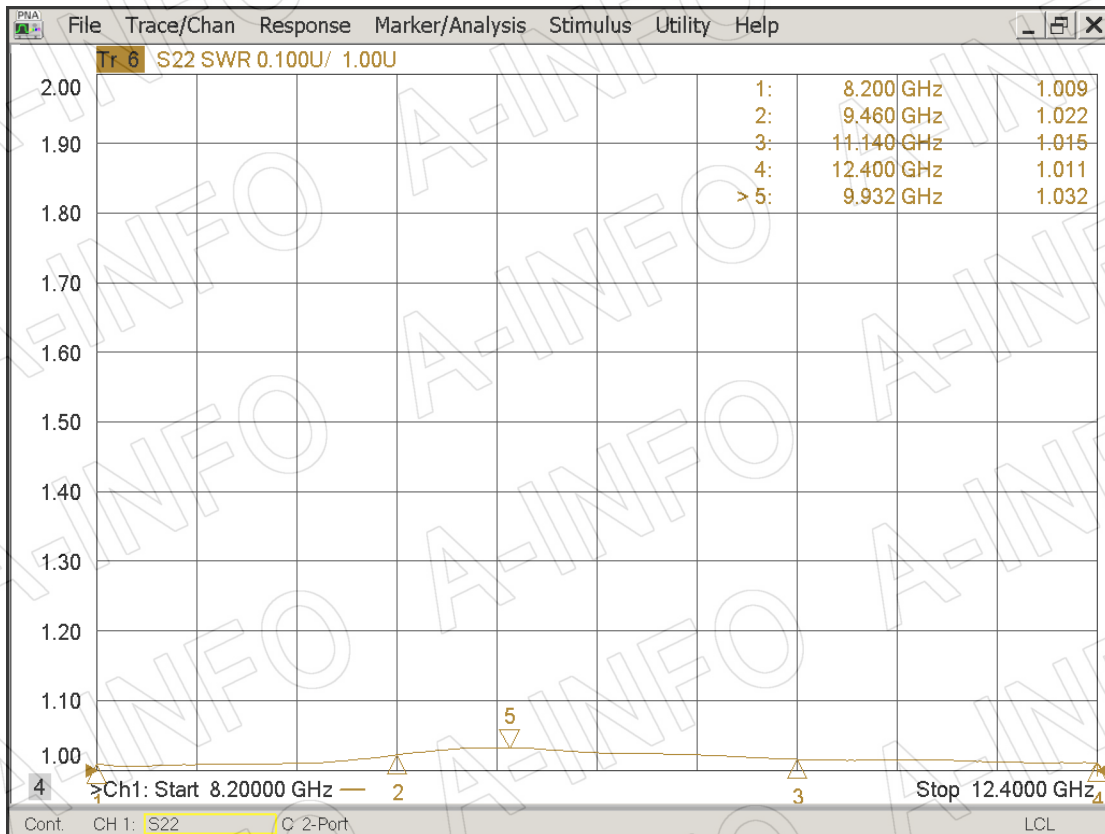
### Directivity



I.L. (Including the theoretical loss  $4.34 \times 10^{-4}$  dB)



Mainline VSWR



## Secondline VSWR

